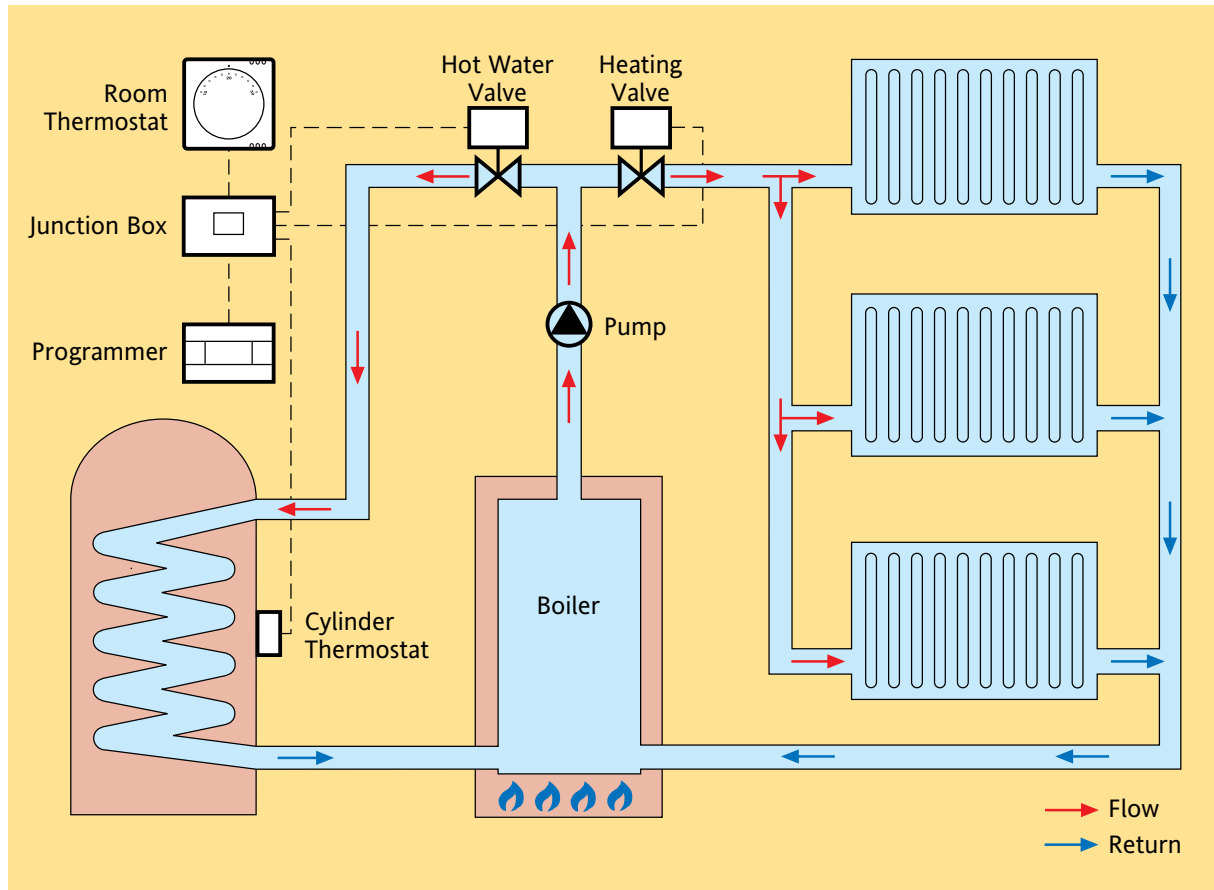


Drayton

Twinzone control system



For fully pumped systems

Operation

In a fully pumped zone system the boiler provides a common supply of heated water which is fed to the motorised valves by the pump. The two port valve on each circuit will open or close depending on demand from the thermostats – see table opposite.

Each valve controls the flow of heated water to the heating or hot water circuits independently. The boiler and pump will continue running whilst there is a demand from one or both thermostats. If both

thermostats become satisfied the pump and boiler will switch off to save fuel.

Room Thermostat	Cylinder Thermostat	Valve Positions
Calling for heat	Calling for heat	Both valves open
Calling for heat	Satisfied	Heating valve open
Satisfied	Calling for heat	DHW valve open

Twinzone valve control for fully pumped systems

Invensys Climate Controls manufacture a range of Lifestyle and Tempus programmers suitable for Twin Zone Valve Control Systems. Seven day, weekday/weekend, or 24 hour versions are available with separate timings for heating and hot water if required. A wiring centre can be incorporated to enable simple, trouble-free installation.

Individual product data sheets are available on request.

Features

- Once set no user adjustment necessary
- Simple installation and wiring
- Fuel saving independent control of heating and hot water
- Wide range of system options
- Manufactured to BS5750
- British Gas approved
- Optional wiring centres
 - LWC1 Wiring Centre with cable identification labels and wiring guide
 - LWC3 Junction Box



Drayton Motorised Valves

- New “snap-on” actuators can be removed at the push of a button
- Positive fuel saving control
- 22mm and 28mm sizes available
- 100% tight shut off
- Manual lever and valve position indicator
- Spring return
- Replaceable actuators
- Replaceable motors
- Simple industry-standard wiring
- Easily replaces most makes



RTS 1 Room Thermostat

- Setting range 10°C – 30°C
- Switch type SPST
- Switch rating 2 (1) A 230V AC 50Hz
- Range limiting stops
- Set point locking
- Surface or conduit box mounting
- Double insulated



HTS 3 Cylinder Thermostat

- Setting range 50°C – 80°C
- Switch type SPDT
- Switch rating 3A 230V AC 50Hz
- Tamper resistant
- Differential 8°C
- Positive on/off for test purposes
- Double insulated



Climate Control Systems Europe

94 Farnham Road, Slough,
Berkshire. SL1 4UH

Telephone: +44 (0) 845 130 5522

Facsimile: +44 (0) 845 130 0622

Technical Helpline: +44 (0) 845 130 7722

Website: www.climate-eu.invensys.com

Email: customerservices@invensys.com

AVAILABLE FROM:

