

Simp-L Plug-in Wiring Centres



Simp-L-Fit: Plug-in Wiring Centre for twinzone and biflo heating systems.

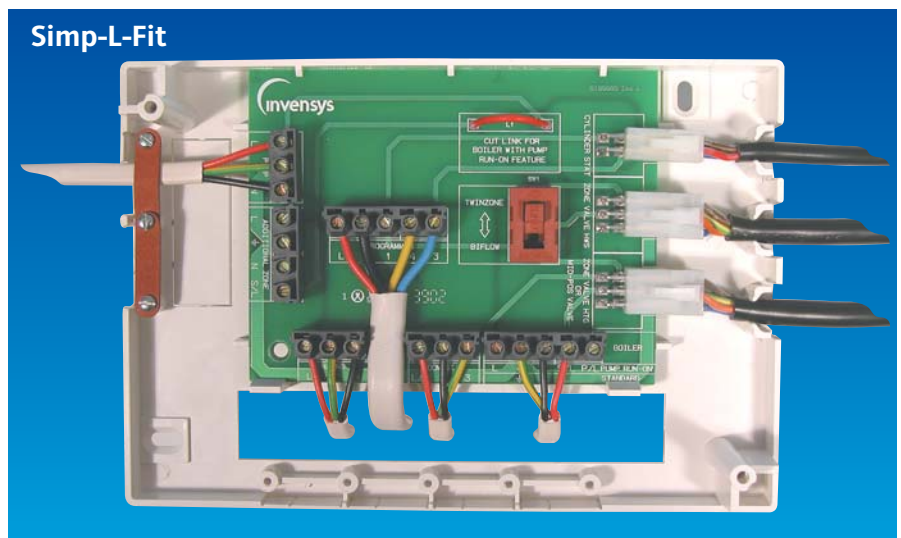
Simp-L-Zone: Plug-in Wiring Centre for additional heating zone.

The Simp-L Plug-in Wiring Centres reduce installation time and eliminate the possibility of incorrect wiring when used with the Drayton Simp-L range of products.

Simp-L-Fit Plug-in Wiring Centre

Features

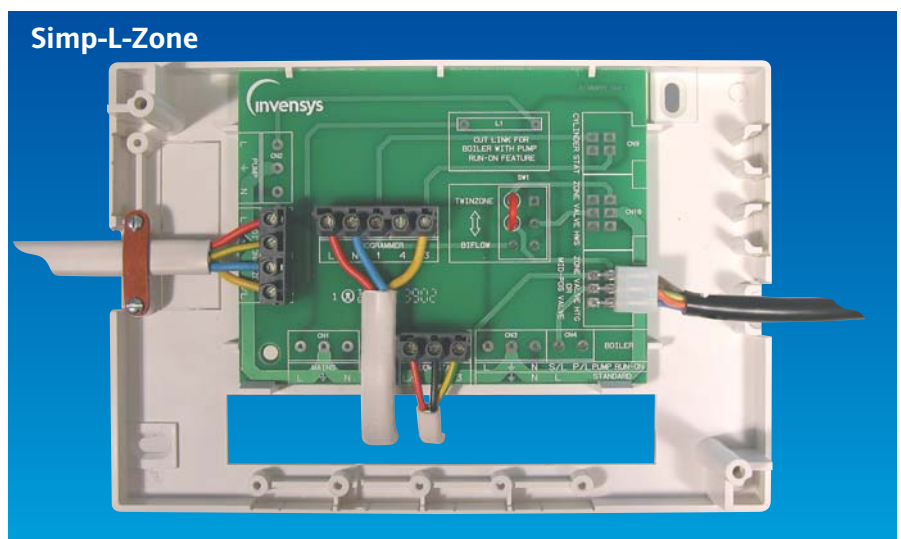
- Reduces installation time
- Eliminates incorrect wiring
- Complies with 89/336/EEC and 73/23/EEC
- Suitable for twinzone or biflo systems (selectable 2 position switch)
- Plug-in connections for valves and cylinder stat



Simp-L-Zone Plug-in Wiring Centre for additional heating zone

Features

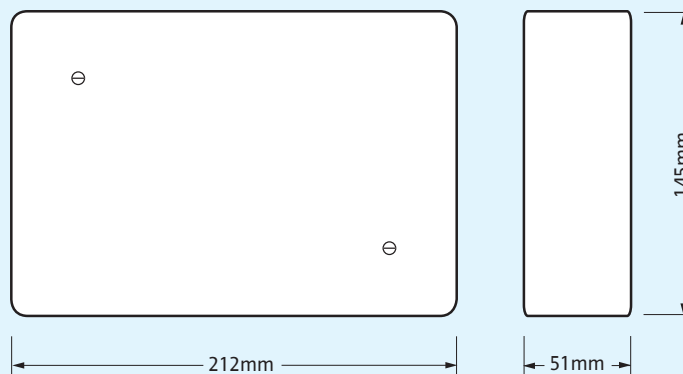
- Quick connection to Simp-L-Fit Plug-in Wiring Centre to add additional heating zone
- Plug-in connection for zone valve



Note:

Simp-L Plug-in Wiring Centres should be used with the Drayton Simp-L valves and cylinder thermostat.

Dimensions of Simp-L-Fit and Simp-L-Zone



Climate Control Systems Europe

94 Farnham Road, Slough,
Berkshire. SL1 4UH

Telephone: +44 (0) 845 130 5522

Facsimile: +44 (0) 845 130 0622

Technical Helpline: +44 (0) 845 130 7722

Website: www.climate-eu.invensys.com

Email: customerservices@invensys.com

AVAILABLE FROM:

