

Digistat⁺ Room Thermostat



Drayton's stylish new Digistat⁺ with tactile, audible & visual feedback. Featuring a familiar dial control with a digital display to show that the temperature has been set accurately every time.

- **User adjustable Set-back feature – at the push of a button**
- **User adjustable Min/Max temperature setting**
- **Digital Display situated above dial for ease of reading**

The product can be configured with a minimum temperature setting to protect the vulnerable.

Digistat⁺ Room Thermostat

Features

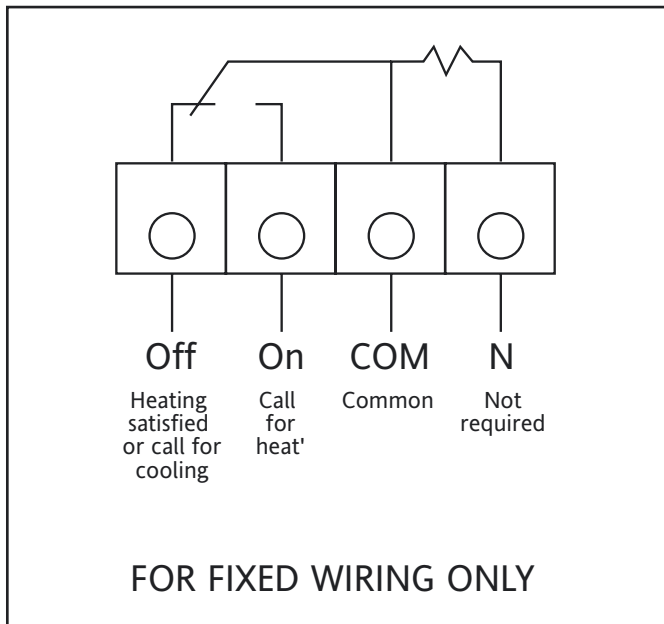
- Conventional dial adjustment
- Tactile dial
- 1°C setting steps
- Tactile & audible feedback via click of the dial.
- Visual feedback via digital display
- Set-back feature
- Min/Max temperature setting
- Battery powered
- Digital display situated above dial for ease of reading

Technical Data

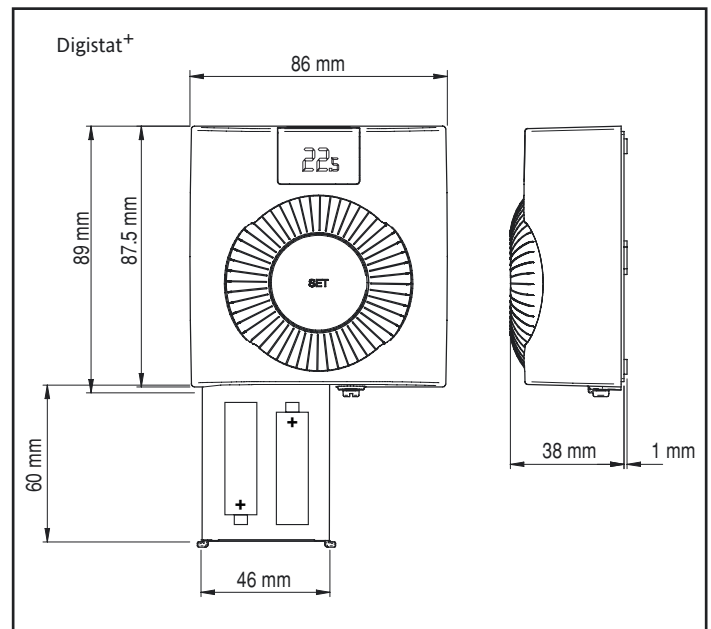
Digistat⁺

Power supply	2 x AA Size, 1.5V alkaline batteries
Switch Type & Rating:	
Relay version:	SPDT 2(1)A 12-240V AC(DC) Volt free
Temperature Range:	5 to 30°C
Control Accuracy:	+ 0.5K @ 20°C
Ambient Temperature:	Operating 0°C to 50°C / Storage -20°C to 55°C
Applicable Standards:	EN60730-1:2001; EN60730-2-7:1992 73/23/EEC Low Voltage Directive 89/336/EEC EMC Directive
Mounting:	Suitable for surface or conduit box mounting
Wiring:	Relay: Designed for fixed wiring only, to comply with current IEE regulations.

Wiring



Dimensions



Available from:

Invensys Controls Europe

Customer Service Tel: 0845 130 5522
 Customer Service Fax: 0845 130 0622
 Technical Helpline Tel: 0845 130 7722
 Email: customer.care@invensyscontrols.com
 Website: www.draytoncontrols.co.uk



Data sheet D65-4