

WM 100, 150

one stage temperature controller



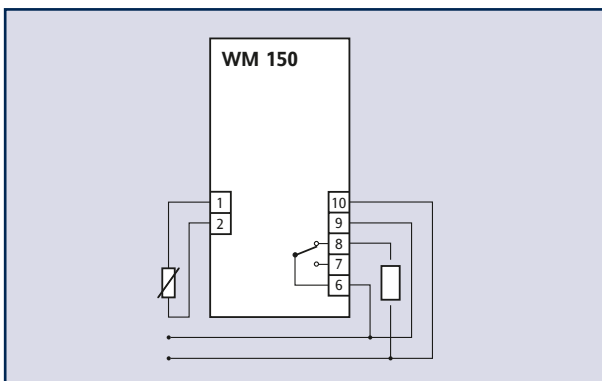
Description

WM 100/150 controllers have one point of intervention only, are for wall mounting and can be used both for heating and cooling applications. They also have a PTC thermostatic probe input and a relay output for the management of loads. The WM 100 model has no display, the WM 150 model displays the values measured by the probes with two digits. The set point can be adjusted with a graduated knob. The two LED's on the WM 100 and the one LED on the WM 150 provide information on the status of the relay. These controllers are available in 75x108 size, for wall-mounting, and with 230, 115, 24 V~ or 12 V~/-. power supplies.

Technical Data

Casing: plastic, PC+ABS, V0 self-extinguishing.
 Size: front panel 75x108 mm, depth 49 mm.
 Mounting: wall-mounting with fixing screws.
 Connections: screw terminals for 2,5 mm² leads (one lead only per terminal, according to VDE regulations).
 Operating temperature: -5...60°C.
 Storage temperature: -30...75°C.
 Display: 2 digits 10 mm high (for WM 150 only).
 Set point control: selection on graduated scale through a knob on the front panel.
 Intervention differential: adjustable between 0.5 and 10°C (the differential is adjusted through a trimmer placed inside the casing).
 Input: for PTC probe.
 Output: 1 output on 8(3)A 250V~ SPDT relay.
 Accuracy: above 1.5°C.
 Power supply (depending on model): 12 V~/-. ±15% or 24, 115, 230 V~ ±10%, 50/60 Hz.

Wiring Diagram



Description of Wiring Diagram

- 1-2 Probe input
- 6-7 Relay N.O.
- 6-8 Relay N.C.
- 9-10 Power supply



WM 500, 550

one stage, relative humidity controller



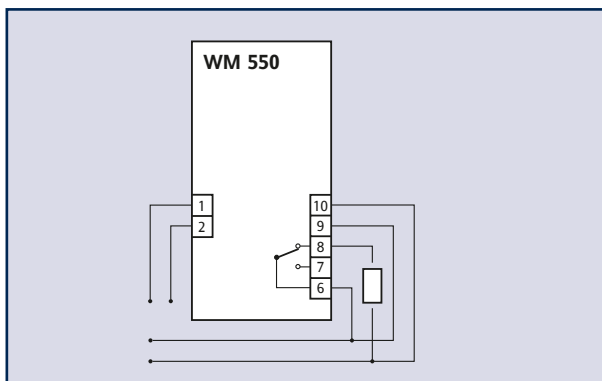
Description

WM 500/550 controllers have one point of intervention only and can be used to control relative humidity. They also have a EHWS 280/310 humidity probe input and a relay output for the management of loads. The WM 500 model has no display, the WM 550 model displays the values measured by the probes with two digits. The set point can be adjusted with a graduated knob. The two LED's on the WM 500 and the one LED on the WM 550 provide information on the status of the relay. These controllers are available in 75x108 size, for wall-mounting, and with 230, 115, 24 V~ or 12 V~/-. power supplies.

Technical Data

Casing: plastic, PC+ABS, V0 self-extinguishing.
 Size: front panel 75x108 mm, depth 49 mm.
 Mounting: wall-mounting with fixing screws.
 Connections: screw terminals for 2,5 mm² leads (one lead only per terminal, according to VDE regulations).
 Operating temperature: -5...60°C.
 Storage temperature: -30...75°C.
 Display: 2 digits 10 mm high (for WM 550 only).
 Set point control: selection on graduated scale through a knob on the front panel.
 Intervention differential: adjustable between 0.5 and 10%RH (the differential is adjusted through a trimmer placed inside the casing).
 Input: for EWHS 280 probe.
 Output: 1 output on 8(3)A 250V~ SPDT relay.
 Accuracy: above 1% RH.
 Power supply (depending on model): 12 V~ ±15% or 24, 115, 230 V~ ±10%, 50/60 Hz.

Wiring Diagram



Description of Wiring Diagram

- 1-2 Probe input
- 6-7 Relay N.O.
- 6-8 Relay N.C.
- 9-10 Power supply

