






EWDR 72

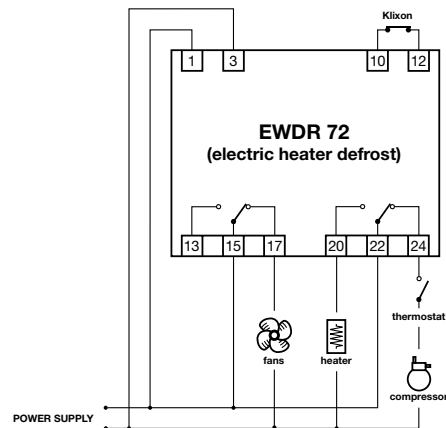
defrost timer DIN rail

TECHNICAL DATA

Housing material: self-extinguish ABS plastic.
 Dimensions: 4-module DIN, 70x85 mm front.
 Mounting: on DIN-rail (omega 3) or wall-mount.
 Connections: terminal block for max 2.5 mm² wiring.
 Operating temperature: -5...65 °C; (23...149 °F).
 Storage temperature: -30...75 °C; (-22...167 °F).
 Defrost frequency: from 2 to 30 hours, in 2-hour increments.
 Length of defrost: from 1 to 60 minutes.
 Klixon-type input: terminals for remote klixon signal (for temperature termination).
 Manual defrost: push-button provided.

Defrost output: SPDT relay 8(3)A 250V AC.
 Fan delayed start: adjustable between 1 and 10 minutes.
 Fan control output: SPDT relay 8(3)A 250V AC.
 Power absorption: 160 mA max.
 Power supply: 220/110 Vac, 50/60 Hz or 12 Vac/dc. Others on request.

- 4 Din modules size 
- 2 relays output 
- fan output 





EWTS 70

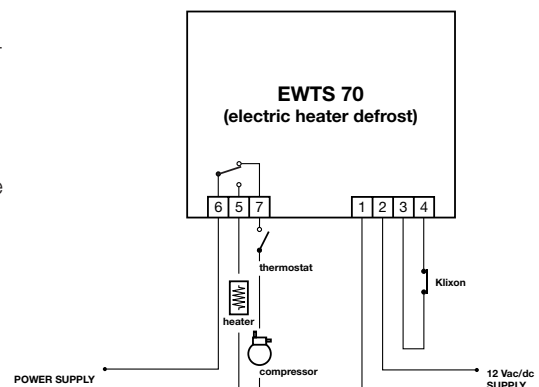
defrost timer 32x74

TECHNICAL DATA

Housing: plastic made of PC+ABS resin, with auto-extinguishing degree V0.
 Size: front panel 74x32 mm, depth 67 mm.
 Mounting: flush with bracket (supplied) into a hole measuring 71x29 mm.
 Protection: front panel IP65: on request, a snap-on cover can be supplied to provide additional protection of the rear terminal block.
 Connections: screw terminal blocks for wires max. 2,5 mm² (only one wire in per terminal in compliance with VDE regulations).
 Commands: on front panel and sideways (1 trimmer and 4 dip-switches).
 Data storage: on non-volatile (EEPROM) memory.
 Operating temperature: -5...65 °C.
 Storage temperature: -30...75 °C.

Outputs: 1 exchange relay 8(3)A 250V AC for defrost system.
 Digital input: possibility of stopping the defrost through an external klixon thermostat.
 Defrost interval: from 4 to 28 hours, with 4-hour increments.
 Defrost duration: from 5 to 60 minutes in two different scales (5'-30' and 30'-60').
 Consumption: 1 VA max.
 Power supply: 12 Vac/dc, 50/60 Hz.

- 32x74 size 
- 1 relay output 



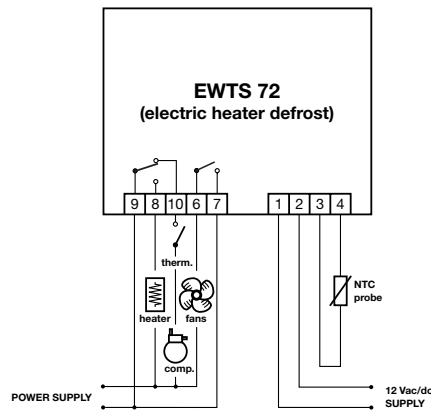
EWTS 72

defrost timer 32x74

TECHNICAL DATA

Housing: plastic made of PC+ABS resin, with auto-extinguishing degree V0.
 Size: front panel 74x32 mm, depth 67 mm.
 Mounting: flush with bracket (supplied) into a hole measuring 71x29 mm.
 Connections: screw terminal blocks for wires max 2,5 mm² (only one wire in per terminal in compliance with VDE regulations).
 Commands: 2 trimmers on the side for defrost end temperature and fan delay, and 1 dip-switch to select the defrost interval.
 Operating temperature: -5...65 °C.
 Storage temperature: -30...75 °C.
 Defrost interval: from 2 to 30 hours with 2-hour increments.
 Defrost management: NTC probe.
 Defrost end temperature: adjustable from 3...15 °C.
 Forced defrost interruption: after 1/2 an hour or 1 hour (depending on the model).
 Defrost output: exchange relay 8(3)A 250V AC.

Fan startup delay: adjustable from 1 to 8 minutes.
 Fans output: N.O. relay 8(3)A 250V AC.
 Accuracy: depending on the supply frequency; ±15% in case of direct current supply.
 Consumption: 1 VA max.
 Power supply: 12 Vac/dc, 50/60 Hz.



32x74 size



2 relays output



fan output



NTC probe input

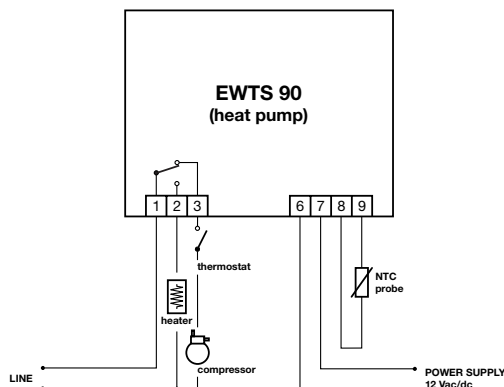
EWTS 90

defrost timer for heat pump

TECHNICAL DATA

Housing: plastic made of PC+ABS resin, with auto-extinguishing degree V0.
 Size: front panel 74x32 mm, depth 67 mm.
 Mounting: flush with bracket (supplied) into a hole measuring 71x29 mm.
 Protection: IP65.
 Connections: screw terminal blocks for wires max 2,5 mm² (only one wire in per terminal in compliance with VDE regulations).
 Operating temperature: -5...65 °C.
 Storage temperature: -30...75 °C.
 Output: one (1) relay 8(3)A 250V AC for defrost management.
 Defrost interval: from 15 to 105 minutes with 15-minutes increments.

Defrost end temperature: adjustable from 10...20 °C.
 Forced defrost interruption: 10 or 15 minutes (selectable).
 Defrost management: NTC probe.
 Manual defrost: by button on the front panel.
 Consumption: 80 mA max.
 Power supply: 12 Vac/dc, 50/60 Hz.



32x74 size



1 relay output



NTC probe input