

# Drayton

## RTS5 Energy Saver



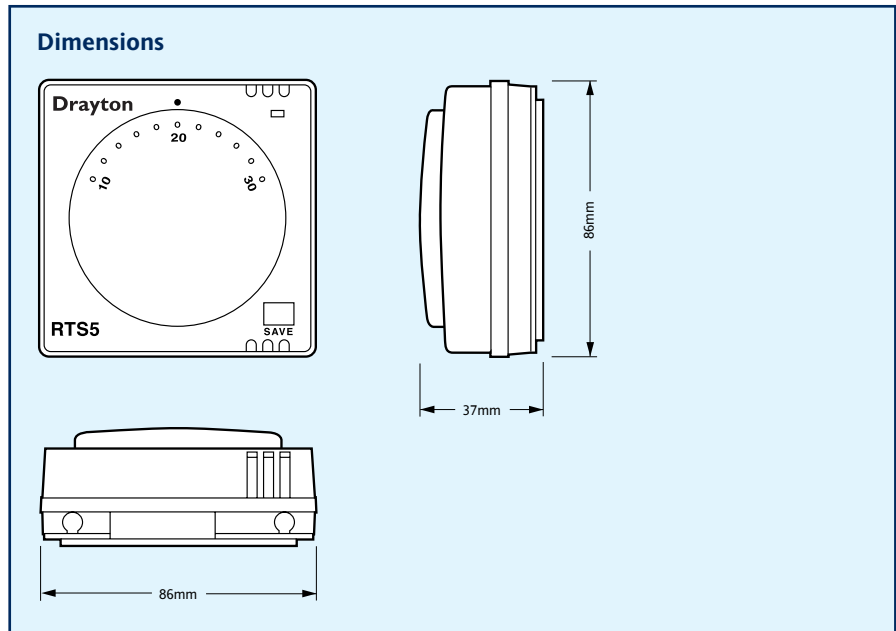
The RTS5 electronic room thermostat incorporates optimum start to increase energy savings. Volt-free contacts (suitable for combi-boilers) to provide improved comfort and economy at an affordable price.

# RTS5 Energy saver room thermostat with volt-free changeover contacts

## Key features

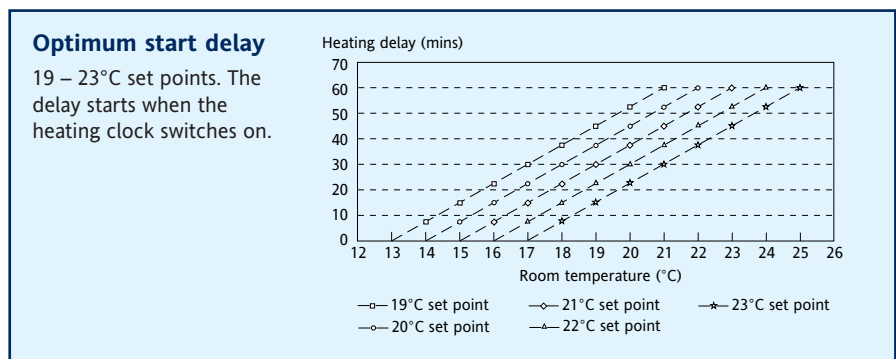
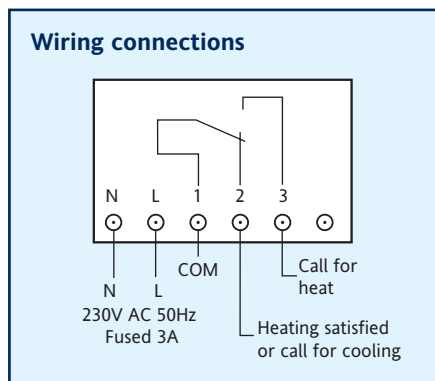
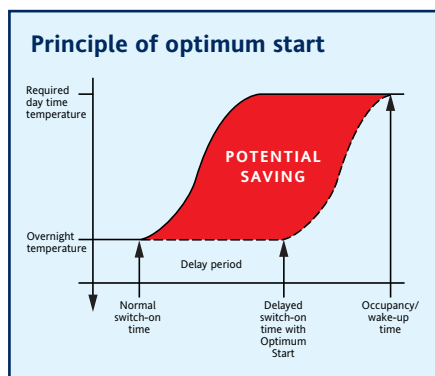
- Optimum start feature – can save over 10% of heating costs (see data sheet D31)
- Save button to override or reset optimum start feature
- Easy to install
- Helps to reduce harmful CO<sub>2</sub> emissions
- Led indicator

Optimum start is a money saving feature which automatically reduces the warm up time for your heating system. As the weather becomes milder, optimum start can delay the heating start times so that fuel is not wasted when rooms are brought up to temperature earlier than necessary.



## Technical data

<b>Electrical supply</b>	230V AC 50 Hz Fused 3A
<b>Temperature sensor</b>	Electronic
<b>Temperature range</b>	10°C to 30°C, with range limiting feature
<b>Ambient temperature</b>	Operating 0° – 45°C, Storage – 20° to 50°C
<b>Switch type</b>	SPDT 2(1)A
<b>Differential</b>	<0.6°C at 4° hour, during normal operation
<b>Wiring</b>	Designed for fixed wiring only to comply with current IEE regulations
<b>Optimum start</b>	For a 20°C set point when programmer switches on: i) temperature below 14°C = no delay ii) temperature above 22°C = 60 mins delay (approximately) The delay will vary at temperatures between 14°C – 22°C (see graph)
<b>LED indication</b>	On = calling for heat Off = satisfied Flashing = saving energy



## Climate Control Systems Europe

94 Farnham Road, Slough,  
Berkshire. SL1 4UH

Telephone: +44 (0) 845 130 5522

Facsimile: +44 (0) 845 130 0622

Technical Helpline: +44 (0) 845 130 7722

Website: [www.climate-eu.invensys.com](http://www.climate-eu.invensys.com)

Email: [customerservices@invensys.com](mailto:customerservices@invensys.com)

AVAILABLE FROM:

